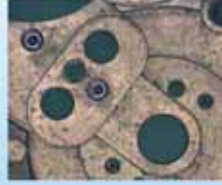


MAHR SPOTLIGHTS



END OF YEAR PROMOTION

PROMOTION PRICES

EFFECTIVE 9/1/2014 THROUGH 12/31/2014



- 0 +



EXACTLY



Scan for
PDF version

How to Receive Your Free Caliper

▶ | This promotional brochure contains products carrying a **Free Caliper Symbol** as seen below. When you order a product with the Free Caliper Symbol from this brochure - by the special order number specified, you will also receive one free **16 ER** - our newest and performance packed caliper, order number **4103002**.

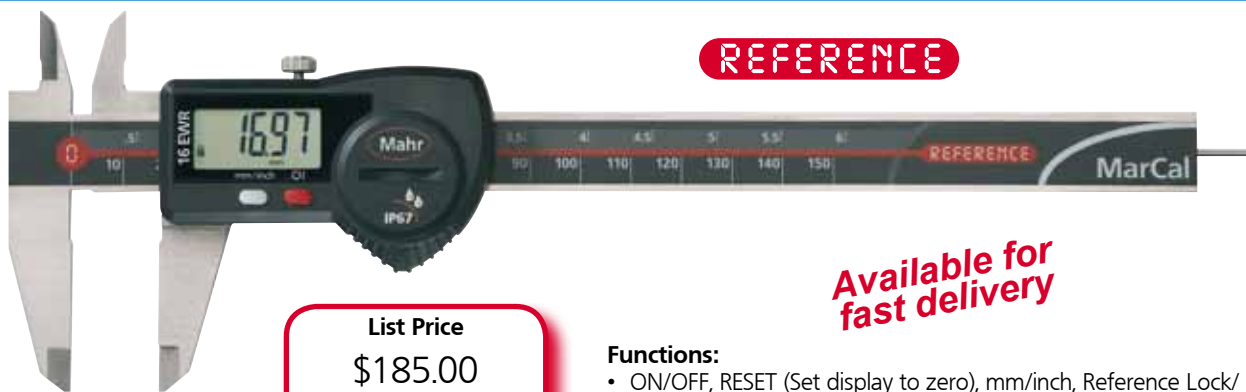
The values in this brochure are hot, but when combined with the free 16 ER they are untouchable! Order yours today.



ree
16 ER Caliper

List Price: \$129.00

MarCal Digital Caliper 16 EWR with Reference System, Protection Class IP67, no output



List Price
\$185.00
Promo Price
\$140.00

Available for fast delivery

Functions:

- ON/OFF, RESET (Set display to zero), mm/inch, Reference Lock/Unlock, Auto-ON/OFF
- Immediate measurement due to the **Reference system**
- Excellent resistance against dust, coolants and lubricants, **Protection Class IP67**
- Life of the battery up to **3 years**
- High contrast Liquid Crystal Display with 8.5 mm high digits
- Lapped guideway



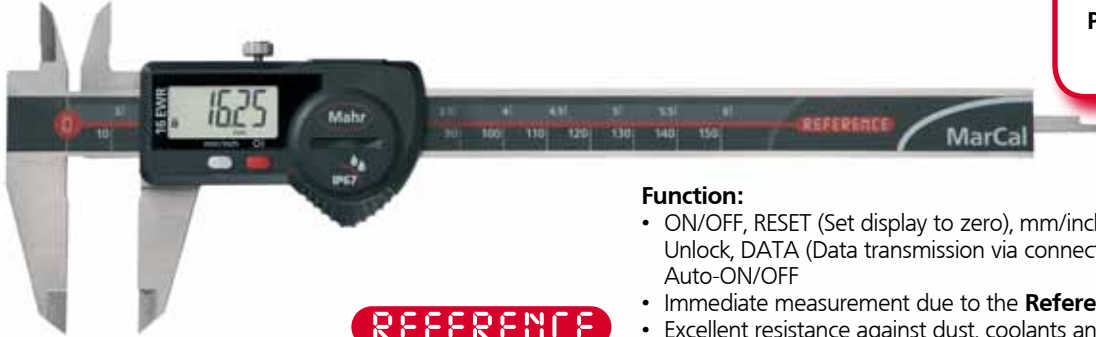
For further detailed information see:
www.mahr.com
WebCode 13526-11250

	Measuring range		Resolution	Error Limit G	Depth rod		Friction Wheel	Order no.	List price	Promo price
	mm	(inch)			mm / inch	mm				
16 EWR	150	(6")	0.01 /0.0005"	0.03	•			4103060P	\$185.00	\$140.00
16 EWR	150	(6")	0.01 /0.0005"	0.03		•		4103062P	\$185.00	\$140.00
16 EWR	150	(6")	0.01 /0.0005"	0.03	•		•	4103061P	\$185.00	\$140.00
16 EWR	150	(6")	0.01 /0.0005"	0.03		•	•	4103063P	\$185.00	\$140.00

MarCal Digital Caliper 16 EWR with Reference System, Protection Class IP67, with output



List Price From
\$221.00
Promo Price From
\$165.00



REFERENCE

Function:

- ON/OFF, RESET (Set display to zero), mm/inch, Reference Lock/Unlock, DATA (Data transmission via connection cable), Auto-ON/OFF
- Immediate measurement due to the **Reference system**
- Excellent resistance against dust, coolants and lubricants, **protection class IP67**
- **MarConnect** data output, choose alternatively: USB, OPTO RS232C or Digimatic
- Life of the battery up to **3 years**
- High contrast Liquid Crystal Display with 8.5 mm high digits
- Measuring blades for inside measurement



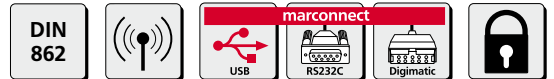
For further detailed information see:

www.mahr.com

WebCode 2553

	Measuring Range		Resolution	Error Limit G	Depth Rod		Friction Wheel	Order no.	List price	Promo price
	mm	(inch)	mm / inch	mm / inch						
16 EWR	150	(6")	0.01 / 0.0005"	0.03 / 0.001"	●	●		4103064P	\$221.00	\$165.00
16 EWR	150	(6")	0.01 / 0.0005"	0.03 / 0.001"	●	●		4103066P	\$221.00	\$165.00
16 EWR	150	(6")	0.01 / 0.0005"	0.03 / 0.001"	●	●	●	4103065P	\$221.00	\$165.00
16 EWR	150	(6")	0.01 / 0.0005"	0.03 / 0.001"	●	●	●	4103067P	\$221.00	\$165.00
16 EWR	200	(8")	0.01 / 0.0005"	0.03 / 0.001"	●	●	●	4103068P	\$256.00	\$191.00
16 EWR	200	(8")	0.01 / 0.0005"	0.03 / 0.001"	●	●	●	4103069P	\$256.00	\$191.00
16 EWR	300	(12")	0.01 / 0.0005"	0.04 / 0.0015"	●	●	●	4103070P	\$383.00	\$286.00
16 EWR	300	(12")	0.01 / 0.0005"	0.04 / 0.0015"	●	●	●	4103071P	\$383.00	\$286.00

MarCal. Digital Caliper 16 ER with Reference system and output



List Price From
\$160.00
Promo Price From
\$120.00

Functions:

- ON/OFF, RESET (Set display to zero), mm/inch, Reference-Lock/Unlock, Auto-ON/OFF
- Immediate measurement due to the **Reference system**
- **MarConnect** data output, choose alternatively: USB, OPTO RS232C or Digimatic
- Life of the battery up to **3 years**
- High contrast Liquid Crystal Display with 8.5 mm high digits
- Beam and crossbeam are made of hardened stainless steel



For further detailed information see:

www.mahr.com

WebCode 2184

	Measuring range		Resolution	Error limit G	Depth Rod		Order no.	List price	Promo price
	mm	(inch)	mm / inch	mm / inch	DIN 862				
16 ER	150	(6")	0.01 / 0.0005"	0.03 / 0.001"	●	●	4103002P	\$160.00	\$120.00
16 ER	150	(6")	0.01 / 0.0005"	0.03 / 0.001"	●	●	4103003P	\$160.00	\$120.00
16 ER	200	(8")	0.01 / 0.0005"	0.03 / 0.001"	●	●	4103004P	\$217.00	\$147.00
16 ER	300	(12")	0.01 / 0.0005"	0.04 / 0.0015"	●	●	4103005P	\$340.00	\$229.00

Digital Caliper MarCal 16 EWRI



REFERENCE



List Price From
\$214.00
Promo Price From
\$199.00



Large high-contrast display.



Scan for more information



Features

Functions:

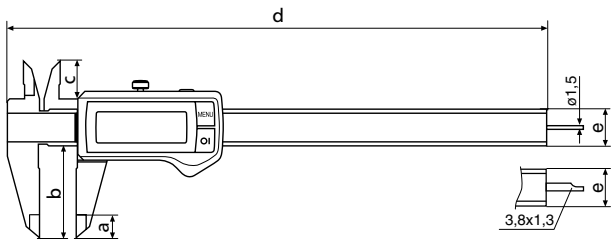
ON/OFF
RESET (Set display to zero)
mm/inch
Reference Lock/Unlock
Auto-ON/OFF
Hold
DATA

- Integrated Wireless data transmission
- Life of the battery up to 3 years
- Measuring blades for inside measurement
- Immediate measurement due to the Reference system
- Max measuring speed 2.5 m/s (100"/s)
- Step measuring function
- Excellent resistance against dust, coolants and lubricants, protection class IP67
- High contrast LCD with 11 mm high digits
- Locking screw
- Dirt wipers are integrated in the slide
- Lapped guideway
- Slide and beam made of hardened stainless steel
- Supplied with: Case, battery, operating instructions

Technical Data

Measuring range	Resolution	Error limit	Depth rod	Friction wheel	Order no.	List price	Promo price
mm (inch)	mm/inch	mm / inch	DIN 862	DIN 815			
150 (6")	0.01/ .0005"	0.03 / .001"	●	●	4103400P	\$214.00	\$199.00
150 (6")	0.01/ .0005"	0.03 / .001"	●	●	4103401P	\$214.00	\$199.00
150 (6")	0.01/ .0005"	0.03 / .001"	●	●	4103402P	\$214.00	\$199.00
150 (6")	0.01/ .0005"	0.03 / .001"	●	●	4103403P	\$214.00	\$199.00
200 (8")	0.01/ .0005"	0.03 / .001"	●	●	4103404P	\$248.00	\$225.00
200 (8")	0.01/ .0005"	0.03 / .001"	●	●	4103405P	\$248.00	\$225.00
300 (12")	0.01/ .0005"	0.04 / .0015"	●	●	4103406P	\$371.00	\$349.00
300 (12")	0.01/ .0005"	0.04 / .0015"	●	●	4103407P	\$371.00	\$349.00

Technical Data



Dimensions

mm	a	b	c	d	e
150	10	40	16	235	16 x 3
200	10	50	19	285	16 x 3.5
300	14	64	19	388	16 x 4

Accessories for Creating your Wireless Data Collection System



i-Stick wireless receiver with MarCom Standard
Allows for 8 wireless devices per stick and 68 wired devices when used with Marcom Professional

Order no. List Price

4102220 \$154.00



Software MarCom Professional 4.0
Allows for up to 4 i-Sticks per computer

4102552 \$394.00

Software MarCom Standard 3.1

4102551 \$115.00

Create Your Personal Data Collection Network

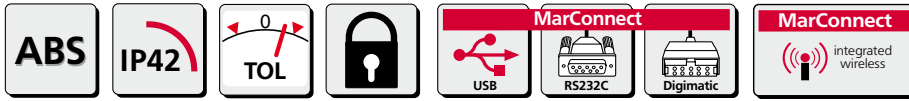
Basic - MarCom Standard



Advanced - MarCom Professional



Digital Indicators MarCator 1086 Ri Resolution 0.01mm / 0.00005"



REFERENCE

List Price From \$720.00
 Promo Price From \$600.00

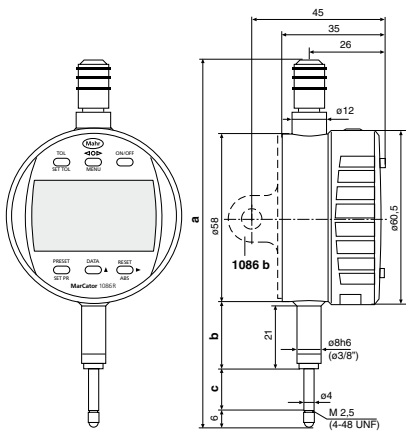
OVER 15% SAVINGS



4337124
12.5mm



4337134
12.5mm



Dimensions

Meas. range		a	b	c
mm	(inch)	mm	mm	mm
12.5	(.5")	126.3	23	13.5
25	(1")	153.4	26.8	26.5

Features

Functions:

- ON/OFF
- RESET (Set display to zero)
- mm/inch
- Reversal of the counting direction
- PRESET (Allows the entry of any value using set buttons)
- TOL (Enter tolerance limit values)
- ABS (Display can be set to zero, without losing the reference to the Preset value)
- <0> (Tolerance GO / NO GO display mode)
- DATA (when connected with a data connection cable)
- Factor (adjustable)
- Immediate measurement due to the Reference system
- Individual buttons can be locked - Lock Function
- Operating and display unit (bezel) can be rotated 280°
- High contrast LCD with 11 mm high digits
- Operating time approx. 3 years (2000 work. hrs/year)
- Maximum measuring speed 1.5 m/s (60"/s)
- Lifter protection cap on the measuring spindle
- MarConnect data output, choose either:
 - USB
 - OPTO RS232C
 - Digimatic
 - Integrated Wireless
- Operating temperature 10 - 40°C
- Class of protection IP42 in accordance to IEC 60529

Supplied with:
 Battery,
 Operating instructions

Technical Data

Measuring range		Resolution	Span of error*	Measuring force	Weight	Mounting shank	Order no.	List price	Promo price
mm	(inch)	mm / inch	mm	N	g				
12.5	(.5")	0.001 / .00005"	0.005	0.65 - 0.90	130	8h6	4337124P	\$720.00	\$600.00
25	(1")	0.001 / .00005"	0.005	0.65 - 1.15	140	8h6	4337125P	\$781.00	\$650.00
50	(2")	0.001 / .00005"	0.008	1.25 - 2.70	190	8h6	4337126P	\$1,200.00	\$995.00
100	(4")	0.001 / .00005"	0.009	1.60 - 3.50	235	8h6	4337127P	\$1,500.00	\$1,250.00
12.5	(.5")	0.01 / .0005"	0.02	0.65 - 0.90	130	8h6	4337134P	\$617.00	\$495.00
25	(1")	0.01 / .0005"	0.02	0.65 - 1.15	140	8h6	4337135P	\$699.00	\$575.00

* in any zero point

Digital Indicators MarCator 1087 Ri with analog display



List Price From
\$823.00
Promo Price From
\$700.00

OVER 15% SAVINGS

REFERENCE

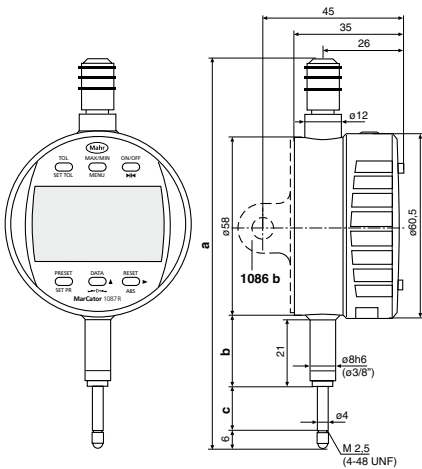


Features

Functions:

- ON/OFF
- RESET (Set display to zero)
- mm/inch
- Reverse the counting direction
- PRESET (Allows the entry of any value using set buttons)
- TOL (Enter tolerance limit values)
- Tolerance band max. 1.6 mm
- MAX/MIN memory, ideal for searching the reversal point
- TIR (MAX-MIN) ideal for testing concentricity and flatness
- ABS (Display can be set to zero, without losing the reference to the Preset value)
- 0 (Set analog display to zero)
- DATA (when connected with a data connection cable)
- Factor (adjustable)
- Immediate measurement due to the Reference system
- Individual buttons can be locked - Lock Function
- Operating and display unit (bezel) can be rotated 280°
- High contrast LCD with 8.5 mm high digits
- Operating time approx. 3 years (2000 work. hrs/year)
- Maximum measuring speed 1.5 m/s (60"/s)
- MarConnect data output, choose either:
 - USB
 - OPTO RS232C
 - Digimatic
 - Integrated Wireless
- Operating temperature 10 - 40°C
- Class of protection IP42 in accordance to IEC 60529

Supplied with:
Battery,
Operating instructions



Analog display

Readings		Display range	
mm	inch	mm	inch
0.001	.00005	± 0.02	± .001
0.002	.0001	± 0.04	± .002
0.004	.0005	± 0.08	± .01
0.01	.001	± 0.2	± .02

Dimensions

Meas. range	a	b	c
mm (inch)	mm	mm	mm
12.5 (.5")	126.3	23	13.5

Technical Data

Measuring range	Resolution	Span of error*	MarConnect	Measuring force	Weight	Mounting shank	Order no.	List Price	Promo Price
mm (inch)	mm / inch	mm	integrated wireless	N	g				
12.5 (.5")	0.001 / .00005"	0.005	●	0.65 - 0.90	140	8h6	4337163P	\$823.00	\$700.00
25 (1")	0.001 / .00005"	0.005	●	0.65 - 1.15	150	8h6	4337165P	\$879.00	\$750.00

* in any zero point

Digital Indicator MarCator 1087 BRi for 2-point inside measurement



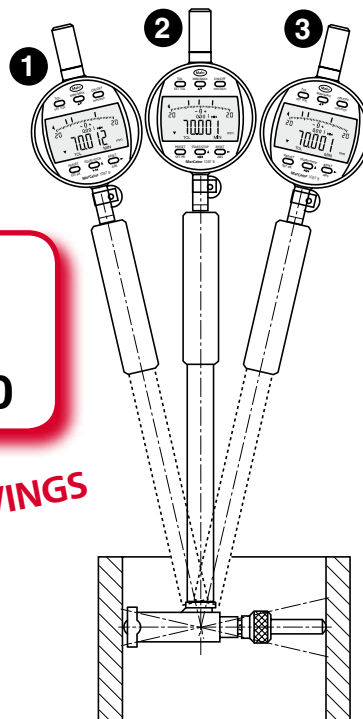
REFERENCE



List Price
\$875.00
Promo Price
\$750.00

OVER 10% SAVINGS

Example of application

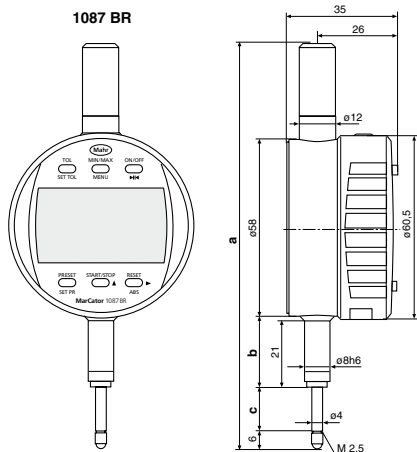


With a 2-point inside measuring instrument, the point of reversal is automatically determined through rocking back and forth. The actual value is detected and stored by the MIN function and indicated in the display (3).

Features

Functions:

- ON/OFF
- RESET (Set the display to zero)
- mm/inch
- Reversal of the counting direction
- PRESET (Allows the entry of any value using set buttons)
- TOL (Enter tolerance limit values)
- Tolerance band max. 1.6 mm
- START/STOP for searching the reversal point
- MAX/MIN memory, ideal for searching the reversal point
- ABS (Display can be set to zero, without losing the reference to the Preset value)
- 0 (Set analog display to zero)
- DATA (when connected with a data connection cable)
- Factor (adjustable)
- Immediate measurement due to the Reference system
- Individual buttons can be locked - Lock Function
- Operating and display unit (bezel) can be rotated 280°
- High contrast LCD with 8.5 mm high digits
- Operating time approx. 3 years (2000 work. hrs/year)
- Max. meas. speed 1.5 m/s (60"/s)
- Sealed protection cap
- MarConnect data output, choose:
 - USB
 - OPTO RS232C
 - Digimatic
 - Integrated Wireless
- Operating temperature 10 - 40°C
- Class of protection IP42 in accordance to IEC 60529
- Supplied with:
 - Battery,
 - Operating instructions



Dimensions

Meas. range	a	b	c
mm (inch)	mm	mm	mm
12.5 (.5")	126.3	23	13.5

Analog display

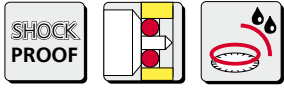
Readings		Display range	
mm	/ inch	mm	/ inch
0.001	/ .00005	± 0.02	/ ± .001
0.002	/ .0001	± 0.04	/ ± .002
0.004	/ .0005	± 0.08	/ ± .01
0.01	/ .001	± 0.2	/ ± .02

Technical Data

Measuring range	Resolution	Span of error*	Measuring force	Weight	Mounting shank	Order no.	List Price	Promo Price
mm (inch)	mm / inch	mm	N	g				
12.5 (.5")	0.001 / .00005"	0.005	0.65 - 0.90	140	8h6	4337164P	\$875.00	\$750.00

* in any zero point

MarTest. Test Indicators 801



- Sealed, waterproof dial face
- Anti-magnetic
- Movement bearings are jeweled



801 S

List Price
\$165.00
Promo Price
\$149.00
Order no. 4305950P



801 SG

List Price
\$187.00
Promo Price
\$168.00
Order no. 4307950P



801 SL

List Price
\$202.00
Promo Price
\$183.00
Order no. 4306950P



801 SGM

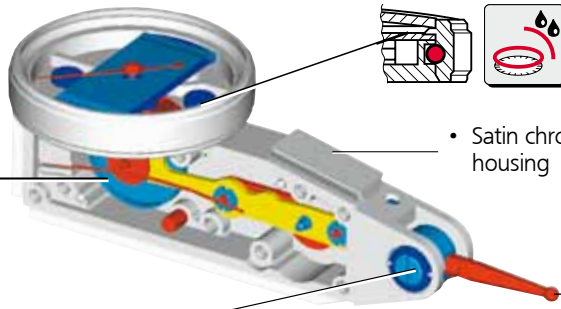
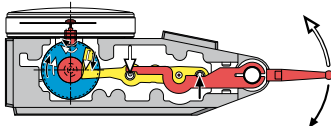
List Price
\$209.00
Promo Price
\$189.00
Order no. 4308970P

Design features of MarTest Test Indicators



Mechanism

- Shockproof
- Anti-magnetic
- Movement bearings are jeweled with 8 precious stones
- Automatic matching to sensing direction, thus ensuring error-free reading



- Dial face is sealed with an O-Ring
- Satin chrome finished housing
- Contact point with carbide ball
- Double lever supported in ball bearings, overload protection provided by slip clutch



For further detailed information see:
www.mahr.com
WebCode 10863

	Measuring range	Readings	Dial dia.	Length of styli	Order no.	List price	Promo price
	inch	inch	inch	inch			
801 S	.030"	.0005"	1.10"	.500"	4305950P	\$165.00	\$149.00
801 SG	.030"	.0005"	1.500"	.500"	4307950P	\$187.00	\$168.00
801 SL	.020"	.0005"	1.10"	1.4375"	4306950P	\$202.00	\$183.00
801 SGM	.008"	.0001"	1.500"	.500"	4308970P	\$209.00	\$189.00



Dial Indicators. Precision Gages

Features

- Unit construction, removable movement - saves repair/cleaning time and maintenance costs.
- Hardened gears and stainless steel racks provide lasting protection against indicator failure due to shock and wear.
- Jeweled bearings resist friction and add to longer indicator life.
- Skeletonized, hobbled gears for more sensitive response, superior indicator accuracy with minimal hysteresis error.
- Controlled rack and pinion mesh eliminates slope for precise response and reading.
- Smooth-adjusting bezels for easy setup.
- Compliance with ANSI/AGD specifications.
- Following is only a small representation of hundreds of indicators available from Mahr Federal
- Provided with lug back and 3/8th inch stem.



B81 RCP

List Price
\$197.00
Promo Price
\$158.00



2014698P

List Price
\$170.00
Promo Price
\$136.00



2015781P

List Price
\$219.00
Promo Price
\$175.00



Call for Your Custom Indicator Applications

ANSI/AGD Group 1

Measuring Range	Graduation Value	Dial Style	Range per Revolution	Accuracy	Order no. With rev counter	List price	Promo price
0.025in	0.0001in	0-5-0	0.010in	±0.0002in	12I-RCP	\$235.00	\$188.00
0.250in	0.00in	0-50-0	0.100in	±0.001in	B8I-RCP	\$197.00	\$158.00

ANSI/AGD Group 2

Measuring Range	Graduation Value	Dial Style	Range per Revolution	Accuracy	Order no. With rev counter	List price	Promo price
0.025in	0.0001in	0-5-0	0.010in	±0.0002in	2015781P	\$219.00	\$175.00
0.250in	0.00in	0-50-0	0.100in	±0.001in	2011049P	\$159.00	\$127.00

Long Range and Extra Long Range

Measuring Range	Graduation Value	Dial Style	Range per Revolution	Accuracy	Order no. With rev counter	List price	Promo price
0.500in	0.001in	0-100	0.100in	±0.001in	2014699P	\$170.00	\$136.00
1.000in	0.001in	0-100	0.100in	±0.001in	2014698P	\$170.00	\$136.00

Digimar. Height Measuring Instrument Digimar 817 CLM Quick Height - 2D

Digimar 817 CLM Quick Height. 350 / 600 / 1000 mm: The new Height Measuring Instrument with the innovative Quick Mode. Highly accurate rapid measurements, a wide range of measuring and evaluation possibilities and excellent operator comfort.

Fast measurement . . .

... by hand with "Quick-Mode" (patented)



Scan for more information

List Price From
\$9,250.00

Promo Price From
\$7,860.00

Display

Comfort to operate all measurement functions with the function keys



817 CLM - 2D 0 - 350 mm



817 CLM - 2D 0 - 600 mm



817 CLM - 2D 0 - 1000 mm



For further detailed information see:

www.mahr.com

WebCode 12369-8298



	2D			
Measuring range	mm / in	0-350 / 14"	0-600 / 24"	0-1000 / 40"
Application range	mm / in	520 / 20.47	770 / 30.31	1170 / 46.0
Resolution	mm	0.01 / 0.005 / 0.001 / 0.0005 / 0.0001		
	in	0.001" / 0.005" / 0.0001" / 0.00005" / 0.00001"		
Measuring error*	µm	1.8+L/600 (L in mm)		
Quick Mode		●	●	●
2-D		●	●	●
Motorized measuring carriage		●	●	●
Bore diameter		●	●	●
Max-Min		●	●	●
Tolerance monitoring		●	●	●
Perpendicularity / Straightness measurement		●	●	●
Measuring programs		40	40	40
Temperature compensation		●	●	●
Air bearings		●	●	●
Integrated USB memory		●	●	●
Data interface		RS232	RS232	RS232
USB printer interface		●	●	●
Order no.		4429010+CAL	4429011+CAL	4429012+CAL
List price		\$9,250.00	\$10,111.00	\$16,560.00
Promo price		\$7,860.00	\$8,595.00	\$14,075.00

* At 20°C in conjunction with a base plate in accordance to DIN 876/0 and a standard probe K6/51

Digimar. Height Measuring Instrument Digimar 817 CLM Quick Height

Easy to operate . . .

. . . all functions can be operated via the speed keys



Operating and display unit with back-lit display

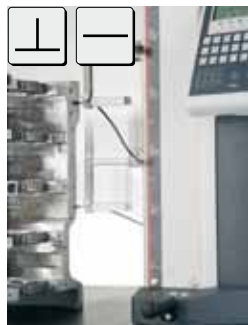
Measuring program . . .

. . . for repetitive measurements / serial components



Perpendicularity (with optional probes*) . . .

. . . and straightness measurements

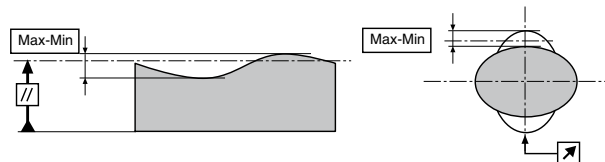


* Check with Mahr Federal Inc. for available electronic probe options

Dynamic measuring functions



Determine MAX, MIN, MAX-MIN with just one measurement



• Parallel deviation

• Roundness deviation

Digimar. Probe Accessory Sets for 817 CLM / 816 CL

Probe Set 817 ts1

consists of:		Shaft length mm	Mount dia. mm
817 h2	Carrier for probes	100	—
S15/31.2	Disc probe	31.2	6
Z10/31.2	Cylindrical probe	31.2	6
MKe 30	Taper probe	38.2	6
TMT 120	Depth probe incl. carrier	120	—
KM 2	Probe for M2 incl. probe 800 ts	31.7	6
817 h4	Carrier for probes	—	8
K4/30	Spherical probe	31	8
K6/40	Spherical probe	31	8
K10/60	Spherical probe	62	8
K10/100	Spherical probe	103	8
Carrying case			

Probe Set 817 ts2

consists of:		Shaft length mm	Mount dia. mm
817 h2	Carrier for probes	100	—
S15/31.2	Disc probe	31.2	6
Z10/31.2	Cylindrical probe	31.2	6
MKe 30	Taper probe	38.2	6
TMT 120	Depth probe incl. carrier	120	—
KM 2	Probe for M2 incl. probe 800 ts	31.7	6
Carrying case			

From
\$972.00



817 ts1



For further detailed information see:
www.mahr.com
WebCode 12369-8298

Probe Set	Order no.	List Price	Promo Price
817 ts1	4429019P	\$1,610.00	\$1,413.00
817 ts2	4429018P	\$1,110.00	\$972.00

Precimar. Universal single-axis length measuring instrument LINEAR 100 with MarCheck digital display

Linear 100 is a universal, user-friendly length measuring instrument for rapid, precise internal and external measurements up to 100 mm (4"), directly in the manufacturing environment. The unit's simple design makes it possible to carry out measurements in no time at all and adapt quickly to new measurement tasks.



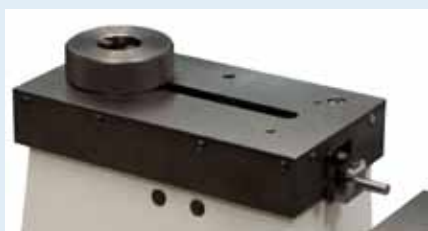
List Price
\$14,300.00
Promo Price
\$12,999.00
Order no. 5357301+CAL



For further detailed information see:
www.mahr.com
WebCode 12282-8080

Linear 100

The LINEAR 100 is very flexible when it comes to external measurements, with a direct measuring range of up to 50 mm (2") and an application range of up to 100 mm (4"). For internal measurements, the application range is 15 mm to 100 mm (0.59" to 4"), with the additional option of 6 mm to 100 mm (0.24" to 4").



It is possible to switch from internal to external measurements at any time without having to recalibrate. The instrument can be used to measure lengths and diameters. This allows multifaceted measuring tasks to be solved, for example on the dimension over two balls on outer gears.

LINEAR 100 measuring station consists of:

- Linear 100 universal measuring instrument including height adjustable 70 x 70 mm object table with electronic display (MarCheck) and connection cable
- Measuring anvils for internal measurements from 15 mm to 100 mm and external measurements from 0 mm to 100 mm
- Measuring anvils for external measurements have a diameter of 6.5 mm

Order no.	List price	Promo price
5357301+CAL	\$14,300.00	\$12,999.00

MarVision. Stereo-Zoom Microscope SM 150/SM 160



SM 150



SM 160



Optional CamSet
(Call for Details)

- High quality optics for light intensive and sharp three-dimensional images
- Continuously variable magnification with adjustable zoom lens
- Focusing with an ergonomic hand wheel, mounted either side, ideal for either a left or right handed operator
- Prism head tilted to 45° and rotatable through 360°; with the dioptic adjustment
- Integrated incident and transmitted illumination, continuously variable (only with SM 150 / SM 151)
- Includes packaging

Technical Data

	SM 150	SM 160
Base dimensions mm	260 x 200	230 x 230
Order no.	4245061+ CAL	4245063+CAL
Introductory price	\$975.00	\$1,375.00



Scan for more information



MarVision MM 200. Measuring Microscope

Features

Measuring Microscope

- High quality optics for light intensive and sharp three-dimensional images
- Zoom lenses with continuous variable magnification and/or fixed lenses
- Focusing with an ergonomic hand wheel, mounted either side, ideal for either a left or right handed operator
- Prism head tilted to 45°; with dioptic adjustment
- LED ring light, dimmable
- LED transmitted light, dimmable
- Robust cast stand
- Stable XY table precision mounted
- Supplied with: Microscope, variable zoom (8-40x) ocular 10x with cross line reticules, 2 digital micrometer heads, 50mm (2"), illumination box, with test certificate, operating instructions



Digital Micrometer Head

Functions:

Zero setting, PRESET (enter a numerical value), mm/inch, Absolute/Relative measurement

- High contrast LCD with 6mm (0.23") high digits
- Bezel can be rotated through 270°
- Data output via RS232C or USB

Note: Also available without Micrometer Heads

Technical Data

Measuring range X / Y	mm/in	50 / 50 / 2" / 2"
Measuring table dimensions	mm/in	150 x 150 / 3" x 3"
Illumination		LED Incident and transmitted light, individually adjustable
Interfaces		USB or Opto RS232
Dimensions* H x W x D	mm/in	535 x 410 x 470 / 21" x 16" x 18.5"

Order no. **4246006+CAL**

Introductory price **\$7,975.00**

* Measuring table is centered



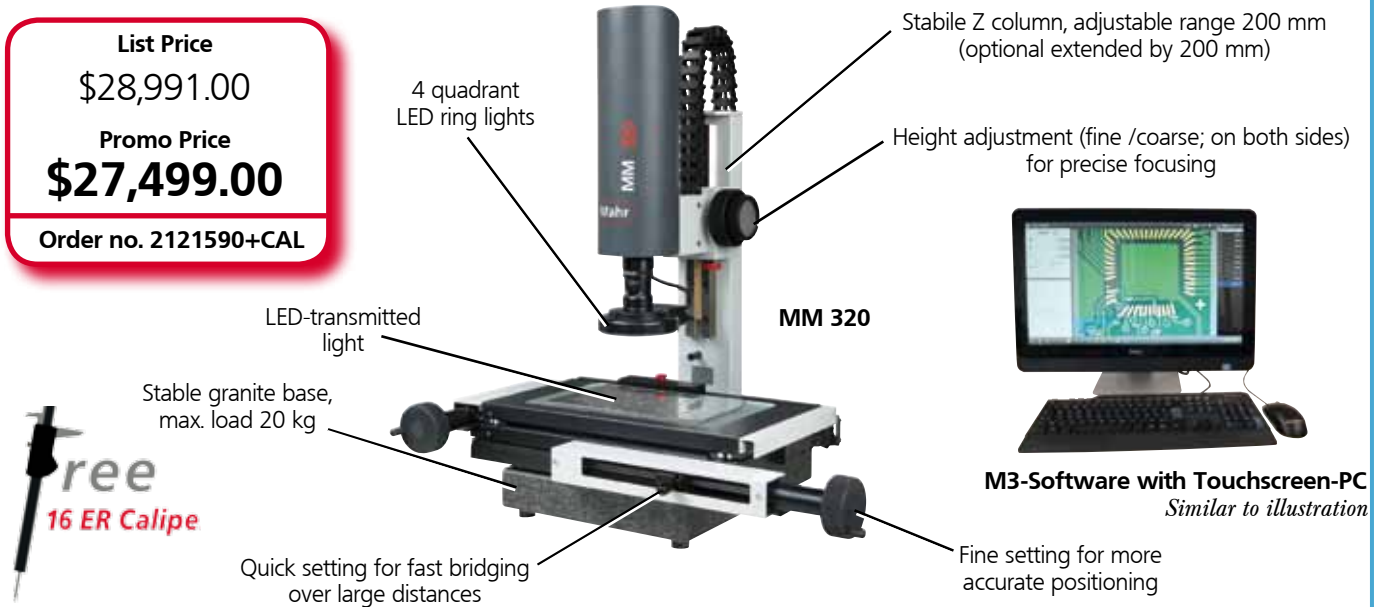
Scan for more information



MarVision. Workshop Measuring Microscope MM 320 with image processing

Manual 2D-Measuring Microscope with either fixed, zoom or motorized zoom lens and an automatic edge recognition for simple and precise measurements of bores, angles and distances. Ideal for use on the production line.

List Price
\$28,991.00
Promo Price
\$27,499.00
Order no. 2121590+CAL



M3-Software with Touchscreen-PC
Similar to illustration

Objective / lens		Zoom
Magnification		0.7x - 4.5x
Measuring range X/Y	mm	200 / 100
Z travel	mm	200
Measuring table dimensions	mm	370 x 210
Max. table load (max)	kg	20
Measuring system:		LED Incident and transmitted light. individually adjustable
- Resolution	mm	0.001
- MPE E ₁ X / Y in μm (L in mm)		1.9 +(L/100)
- MPE E ₂ XY in μm (L in mm)		2.9 +(L/100)
Working distance	mm	85
Max. height of test piece	mm	90
Illumination		built-in incremental measuring scale
Dimensions H x W x D	mm	700 x 650 x 550
Order no.		2121590+Cal
List price		\$28,991.00
Promo Price		\$27,499.00

Features

M3-Software with Touchscreen-PC

- 23" Touchscreen with keyboard and mouse
- Operated via the Multi-Touch on the monitor or via mouse/keyboard
- Large video image
- Customizable printouts
- Automatic edge detection even with low contrast parts

Additional options:

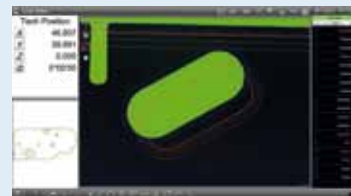
- Telecentric LED back light (Order no 4247050)
- Incident light (Order no. 4245300)
- Calibration standard incl. calibration certificate (Order no. 4246901)
- Extension of the Z-Axis, 200 mm (Order no. 4246051)
- Measuring system for Z-Axis
- Wide range of accessories
- **DXF file integration**
- Training
- Calibration and repair service



- Graphical presentation including dimensions



- Evaluation of nominal and actual values with tolerance specifications



- Creation and downloading DXF data
- Consigning tolerance limits
- Generate Overlays
- Summary of GO and NO GO

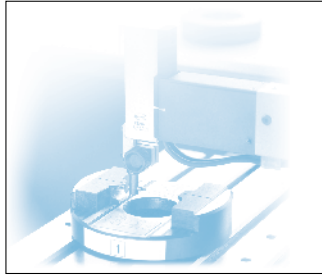
Further measuring ranges:

- 100 x 100 mm
- 250 x 170 mm
- 400 x 250 mm (Incl. Z-axis extensions)

▶ | **DIMENSIONAL METROLOGY**



Precision Gages



Precimar.
Precision Length Metrology



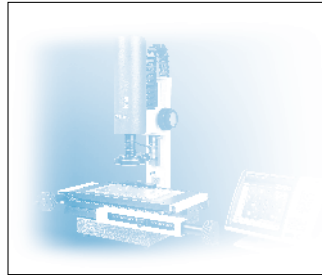
MarSurf.
Surface Metrology



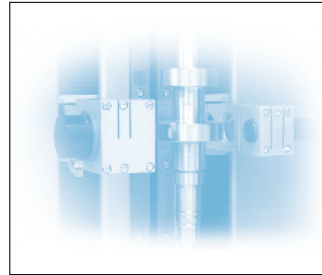
MarForm.
Form Metrology



MarGear.
Gear Metrology



MarVision.
Optical Metrology



MarShaft.
Shaft Metrology



Services

WWW.MAHR.COM

|
- 0 +



E X A C T L Y