

Robust design utilising linear motors and mechanical bearings.

XTREME

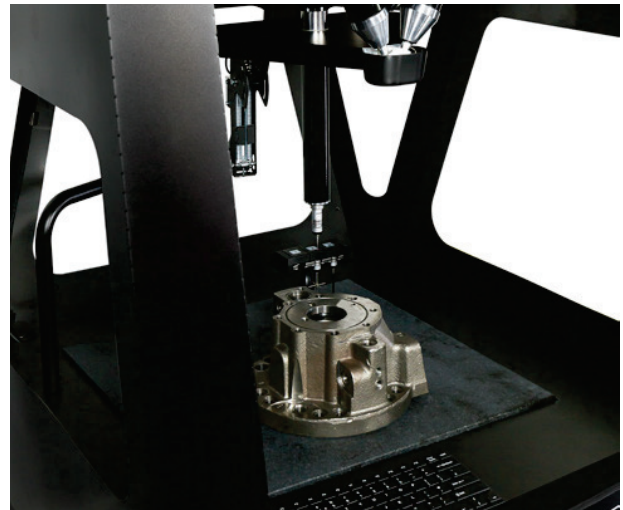
CMM ACCURACY WHEREVER YOU NEED IT

Designed using a non-Cartesian structure and utilising linear motors and mechanical bearings, as its name implies, the Xtreme CNC CMM provides a robust solution for providing precision inspection results. The unique CMM's advantageous configuration ensures that it maintains its accuracy at very fast measurement rates and does not suffer from the accumulative inaccuracies that occur in conventional 3-axis Cartesian designs.

The Xtreme is a self-contained inspection unit. It has no air bearings, so no requirement for compressed air – just plug it in and go. Built-in temperature control and a compact footprint allow the Xtreme to be placed wherever it is needed.

Another unique advantage of the Xtreme is that all of the struts are temperature controlled to operate above ambient air temperature. This means that the measurement accuracy is maintained even when the surrounding environment is not temperature controlled.

The innovative Xtreme CMM is an evolution of CMM technology. However, it is the price of this machine that is the primary reason why the new Xtreme has had such a significant effect on the market.



Technical Information:

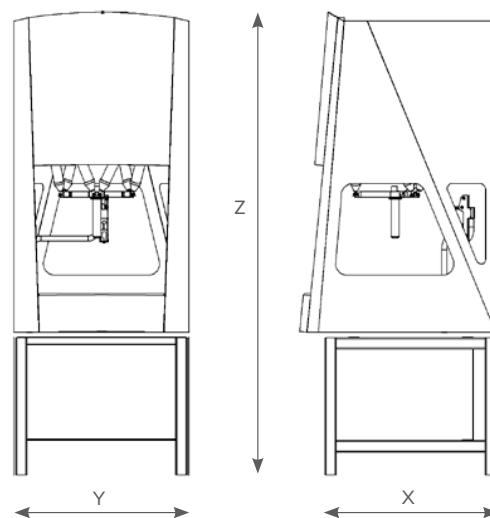
Axis Travel (mm)	X 300 Y 300 Z 200
Overall Size (mm)	X 770 Y 860 Z 2025 (when on bench)
*Volumetric Accuracy:	(3 + 0.4L/100) μm
Scale Resolution:	0.5μm
Operational Temp Range:	0 - 45°C
Table:	Solid granite plate
Max. Velocity Vector:	750mm/sec
Max. Acceleration Vector:	750mm/sec ²
Air Consumption:	None
Required Air Pressure:	Not required

Key Features:

- No compressed air required - the Xtreme is 'plug and go'
- Built-in temperature control - accuracy is maintained even when ambient temperature is not controlled
- Aberlink's revolutionary easy-to-use measurement software
- Shortest learning curve of any equivalent system - 1 day without prior CMM experience
- Smallest overall footprint of any comparable size CMM
- The Xtreme's mechanical bearings mean that it is robust, so ideal for less than perfect environments

Machine Options:

- 3-Port Auto-change Rack & TP20 Stylus Module
- Fixture Kit



*The machine should not be positioned where it will be subjected to rapid changes in temperature. Max rate of ambient temperature change should not be more than 1°C/hour.